



# Air Control Dampers

## Air tight circular ADC

- Airtight up to 1000 Pa
- Manual, electric or pneumatic operation
- Temperature range -30°C to +100°C
- High Strength galvanised steel construction
- Self sealing end termination for fast installation
- Diameters from 100mm to 630mm diameter
- Stainless steel option available



### ADC Air Tight Damper

The use of shut off dampers increases as the demand for low energy low leakage systems rises. The Rega circular shut off damper provides an economical method of achieving low leakage at an acceptable capital cost.

### Construction

Like all Rega products, these air tight dampers are manufactured to the highest standards of quality, tolerance and performance, giving total confidence to contractor or specifier.

Bodies are constructed of high strength galvanized mild steel to HVCA DW144 standard. The galvanized steel damper blades are fitted with specially formulated silicon rubber seals for the closest contact between blade and body wall.

100mm to 250mm models have hexagonal rod axles with special double 'O' ring seals and pressed steel levers. 280mm-630mm models have heavy duty circular full length shafts with steel ball bearings and blind nut air tight connections.

### Temperature

The standard volume control operates within the temperature range -30°C to 100°C. For higher temperatures, to 300°C a special version is available

### Control

The Air tight damper body is manufactured from galvanized steel with a butt laser welded seam. The damper is supplied with an integral neoprene seal providing an air tight joint with no additional sealing required. At high pressures a mechanical fixing, self drilling screw or rivet, will be required between the duct and the damper.

The ADC air tight damper is available in stainless steel as an option.

### Application

The unit is suitable for providing tight shut of for extract and supply ducts in both high and low velocity systems.

### Insulation

ADC units are available to special order with 25mm or 50mm insulation to reduce noise or heat transfer.

### Control

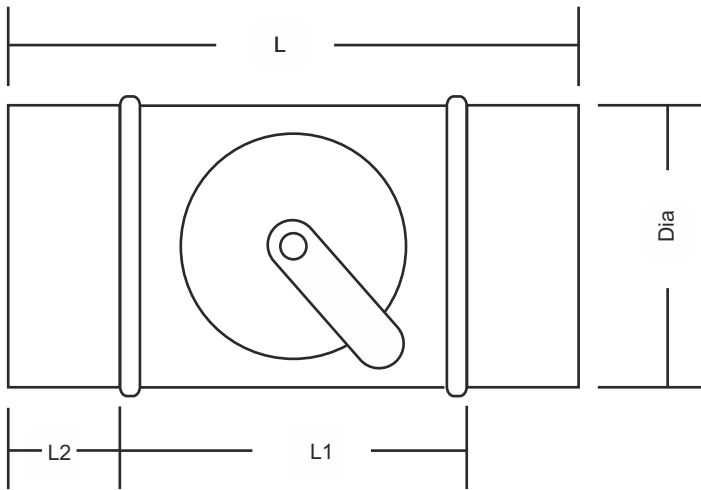
On manual models up to 250mm diameter the blades can be locked in any of 9 fixed positions at 10° intervals or can be infinitely variable.

Electric or Pneumatic actuators are available with the options of open/close or fully modulating operation. In addition for safety applications spring return actuators are available.

...Fresh thinking in the air

# Air Control Dampers

## Circular Air Tight Damper ADC



Ø	L	L1	L2	Weight Kg	Part No.
100	190	130	30	0.7	adc10
125	190	130	30	0.8	adc12
150	215	155	30	1.0	adc15
160	225	165	30	1.2	adc16
180	265	205	30	1.3	adc18
200	285	205	40	1.5	adc20
224	310	230	40	1.7	adc22
250	335	255	40	1.9	adc25
300	440	320	60	4.5	adc30
315	440	320	60	4.7	adc30
355	520	360	80	5.9	adc35
400	565	405	80	7.4	adc40
450	615	455	80	9.0	adc45
500	665	505	80	12.5	adc50
560	725	565	80	14.8	adc56
630	795	635	80	20.5	adc63

