



# Air Control Dampers

## Circular Control Damper ADCN

- Up to 90 x 1degree blade settings or infinitely variable.
- Air tight bearings.
- Galvanised steel construction, corrosion free and fire resistant.
- Standard male spigot end connections.
- 10 Position self locking mechanism.
- Available with spigot seal rings.



### ADCN

Type ADCN circular control dampers are designed for use in all ductwork providing accurate adjustment of the air flow.

To maintain energy efficient operation the units are provided with bearing seals to maintain air tightness through the duct wall. Suitable for low, medium or high pressure installations.

Easily set with the manual control lever, the standard unit has nine 10° degree steps from open to closed. Upward pressure on the control lever allows adjustment, when released the damper automatically locks into the required position with no chance of movement in operation.

### Casing

The damper case of 1mm galvanised steel with male spigot ends to suit standard duct sizes. The external swage provides a positive location and resistance to deformation.

### Blades

Formed from 0.7 galvanised steel the blades are shaped to give predictable control characteristics, allowing the volume setting to be pre-set from the air flow graph.

### Shafts

The blades are mounted in 6 or 12mm shaft assemblies, dependant on the duct size. The shafts are fitted with O-ring seals to maintain air tightness through the duct wall.

### Quadrant

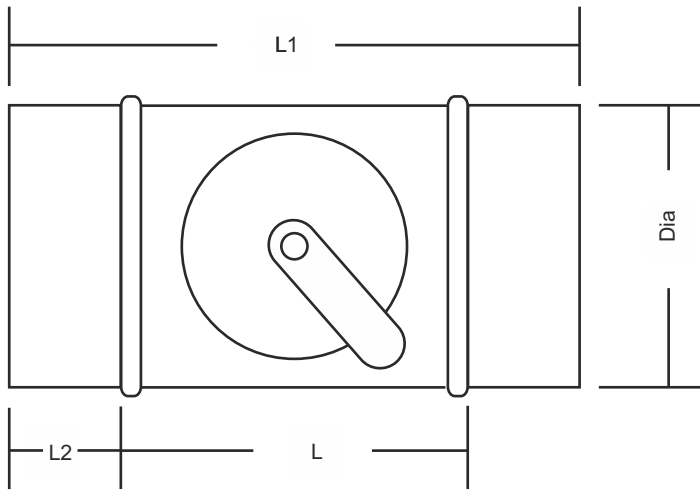
The unique locking quadrant ensures easy setting and positive location. From size 250mm upwards the locating screw resists movement regardless of air pressure or velocity.

### Materials

For high temperature or corrosive conditions ADCN dampers are available in stainless steel. ensure

# Air Control Dampers

## Circular Control Damper ADCN



Dia mm	L	L1	L2	Weight Kg	Code No
80	130	190	30	0.45	adcnm08
100	130	190	30	0.55	adcnm10
125	130	190	30	0.70	adcnm12
150	155	215	30	0.85	adcnm15
160	165	190	30	0.90	adcnm16
180	185	265	30	1.00	adcnm18
200	205	285	40	1.50	adcnm20
224	229	309	40	1.75	adcnm22
250	255	335	40	2.00	adcnm12
280	285	365	40	3.60	adcnm15
315	320	400	60	4.80	adcnm16
355	360	480	80	5.70	adcnm18
400	405	565	80	7.30	adcnm20
450	455	615	80	8.70	adcnm22
500	505	665	80	12.20	adcnm18
560	565	725	80	14.40	adcnm20
630	635	795	80	20.00	adcnm22
710	715	915	100	24.00	adcnm20
800	805	1005	100	33.00	adcnm22

